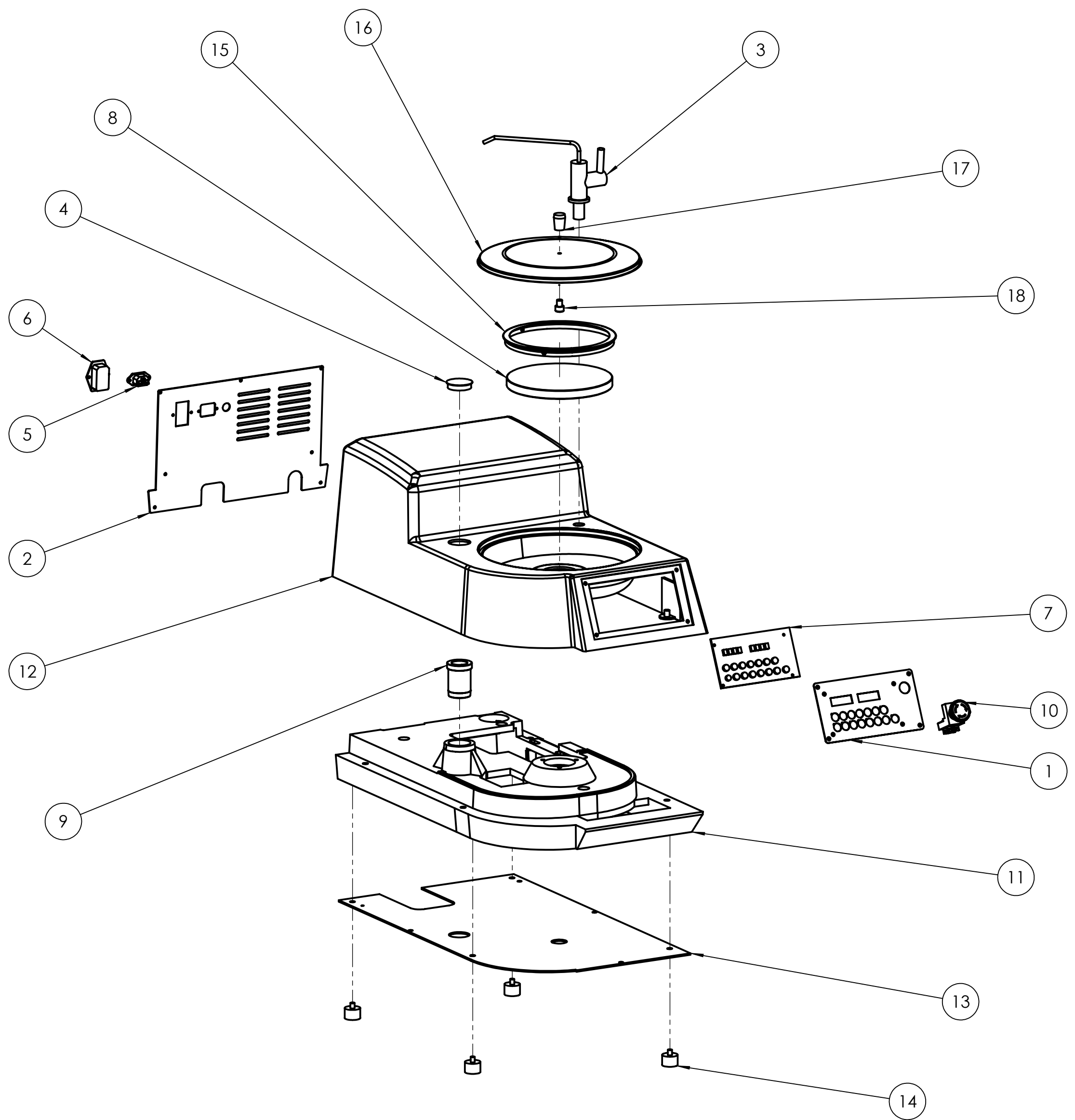


# NANO 1000T Single Wheel Polisher



ITEM NO.	PART NUMBER	DESCRIPTION	QTY.
1	N1-M-007	Front panel	1
2	N1-014B	Back panel	1
3	PVR	Water valve right side	1
4	N1-M-002	Plastic cover	1
5	IEC INLET	IEC female	1
6	PS-001	ON/OFF switch	1
7	N1-015B	PC board	1
8	PW-800	8-inch wheel	1
9	N1-025	FEMTO post collar	1
10	P150-210	Emergency switch	1
11	N1-M-001	NANO 1000 Casting	1
12	N1-001	NANO 1000 FRP cover	1
13	N1-M-004	NANO 1000 bottom cover	1
14	FT-004	Rubber Feet	4
15	PTM-125-005	8-inch plain backed paper ring	1
16	PTM-225-007	Polisher cover	1
17	PTM-225-007H	Cover handle	1
18	PTP-S1-01 (M10X12)	M10x12 socket screw	1

