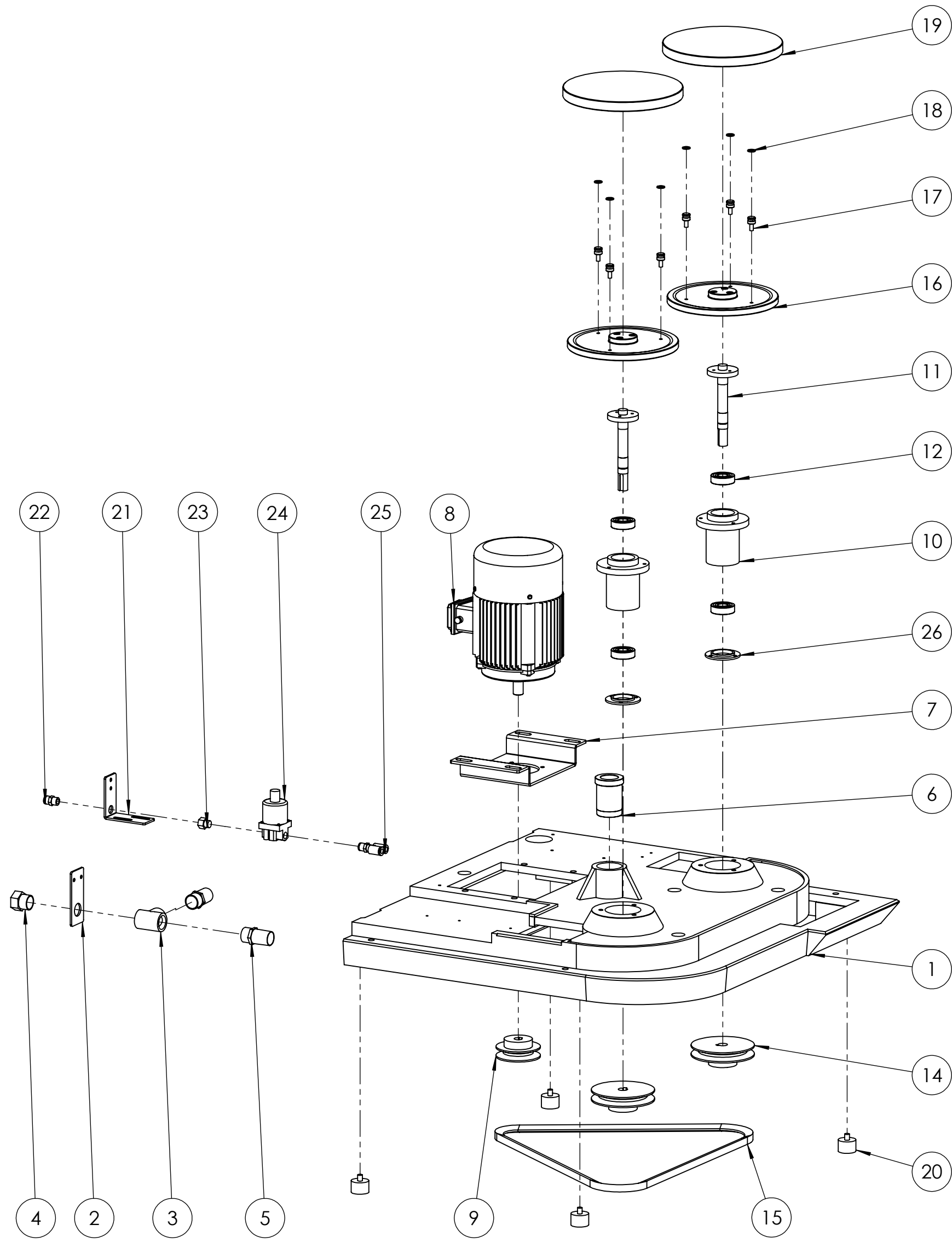


# NANO 2000T Assembly Drawing



ITEM NO.	PART NUMBER	DESCRIPTION	QTY.
1	N2-M-001	NANO 2000 casting	1
2	N1-M-006	Water adapter bracket	1
3	N2-009	NANO 2000 Drain T-fitting	1
4	D-REDUCER	Drain reducer	1
5	D-BARB	Drain hose barb	2
6	N1-025	FEMTO post collar	1
7	N2-M-003	NANO 2000T Motor holder	1
8	N1-007B	NANO 1000-2000 Motor	1
9	N1-003P	N1-003P	1
10	N1-003S-3	NANO 1000 spindle shaft housing	2
11	N1-003S-1	NANO 1000 spindle shaft	2
12	N1-M-BEARING	NANO 1000 spindle shaft bearing	4
26	N1-003S-2	NANO 1000 spindle shaft adapter	2
14	N1-006	NANO 1000-2000 Pulley for motor	2
15	N2-005	NANO 2000T double wheel belt	1
16	N1-002	NANO 1000 polishing table support platen	2
17	N1-002PEG	Table support PEG's	6
18	N1-002-O-RING	Table support PEG's O-ring	6
19	PW-800	8-inch wheel	2
20	FT-004	Rubber Feet	4
21	N1-M-005	Solenoid bracket	1
22	W-8MM	8mm water supply hose connector	1
23	D-REDUCER-B	Water reducer	1
24	N1-009B	24V solenoid valve	1
25	W-S-8MM	8mm water split quick connector	1